



Essential LEDSpot MR16

Essential LED 5-50W 6500K MR16 24D

Essential LEDspots MR16 are compatible with most existing fixtures with a GU5.3 socket and are designed as a retrofit replacement for halogen spots. Essential LEDspots MR16 deliver significant energy savings and minimize initial investment.

Product data

General Information	
Cap-Base	GU5.3 [GU5.3]
Nominal Lifetime (Nom)	15000 h
Switching Cycle	50000X
Technical Type	5-50W
Light Technical	
Color Code	865 [CCT of 6500K]
Beam Angle (Nom)	24 °
Luminous Flux (Nom)	435 lm
Luminous Flux (Rated) (Nom)	435 lm
Luminous Intensity (Nom)	1700 cd
Color Designation	Cool Daylight
Rated Beam Angle	24 °
Correlated Color Temperature (Nom)	6500 K
Luminous Efficacy (Rated) (Nom)	87.00 lm/W
Color Consistency	<6
Color Rendering Index (Nom)	80
LLMF At End Of Nominal Lifetime (Nom)	70 %

Operating and Electrical	
Power (Rated) (Nom)	5 W
Lamp Current (Nom)	580 mA
Wattage Equivalent	50 W
Starting Time (Nom)	0.5 s
Warm Up Time to 60% Light (Nom)	1 s
Power Factor (Nom)	0.5
Voltage (Nom)	12 V

Temperature	
T-Case Maximum (Nom)	76 °C

Controls and Dimming	
Dimmable	No

Approval and Application	
Suitable For Accent Lighting	Yes
Energy Efficiency Label (EEL)	A+

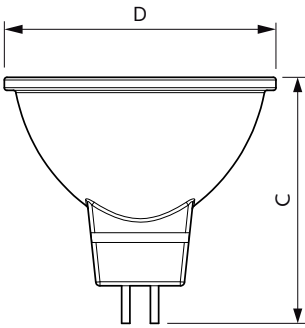
Product Data	
Full product code	871869657957200

Essential LEDSpot MR16

Order product name	Essential LED 5-50W 6500K MR16 24D
EAN/UPC - Product	8718696579572
Order code	929001240208
Numerator - Quantity Per Pack	1
Numerator - Packs per outer box	10

Material Nr. (12NC)	929001240208
Net Weight (Piece)	0.045 kg

Dimensional drawing



MR16 12V 5W-50W 380lm 24D 6500K GU5.3 ND

Product	D	C
Essential LED 5-50W 6500K MR16 24D	50 mm	46 mm

